

FAIRWAY FALCON



The **Fairway Falcon™** is an articulating, pull-type, multipurpose, fairway brush. Utilizing a unique brushing system that contours to undulations, the Falcon covers roughly a 15-foot span for efficient and worry free operation. The unit can be towed by both utility vehicles and tractors as it uses a ground driven system with 12 volt electric actuators. The unit can also be configured for hydraulics.

PRE-CUT PREP - DEW REMOVAL - DE-THATCHING - WORM CASTINGS - AERATION CORES - TOP-DRESSING



SPECIFICATIONS

Working Width	15' 2" (4.63 m)
Working Speed	6 mph (10 km/h)
Transport Speed	12 mph (20 km/h)
Approx. Weight	1,200 lbs (544 kg)
Vehicle Requirements	12 V Battery
Towing Capacity	420 lbs (190 kg)

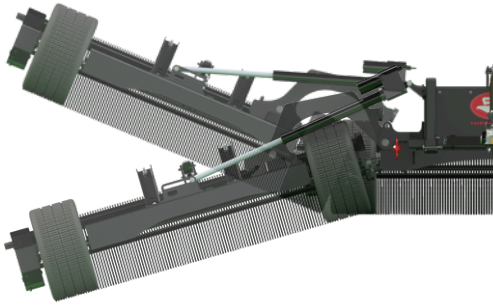


SALES@FIEQUIPMENT.COM

WWW.FIEQUIPMENT.COM



PRODUCT FEATURES



1. WING CONTOURING

WING FLOATATION TO TACKLE THE STEEPEST OF SIDE HILLS AND CONTOURS



2. ARTICULATING HITCH

3 - AXIS MOVEMENT FOR INDEPENDENT FLOATATION FROM THE TOW VEHICLE



3. BRUSH CONTOURING

BRUSH FLOATATION FOR CONSTANT BRUSH TO TURF CONTACT



4. TURF TIRES

18" TURF TIRES USED TO REDUCE COMPACTION



5. ELECTRICAL CONTROLS

EASY TO USE AND RELIABLE ELECTRICAL CONTROL SYSTEM



6. ROTARY BRUSH

GROUND DRIVEN BRUSH FOR CONSISTENT PERFORMANCE



ADDITIONAL FEATURES

BRUSH CLEANER BARS - INDUSTRIAL ACTUATORS - HEAVY DUTY FRAME DESIGN



SALES@FIEQUIPMENT.COM

WWW.FIEQUIPMENT.COM

