



Operators and Parts Manual

Version 1.0.0

Table of Contents

Welcome to TarpDevil	3
Safety	4
TarpDevil - Warranty	6
Mounting your TarpDevil - Three Point Hitch Mounting Procedure	7
TarpDevil - Theory of Operation	8
TarpDevil - Assembly	9
TarpDevil - Parts List	10
TarpDevil - Maintenance	11



Dear TarpDevil Owner,

Congratulations on the purchase of your TarpDevil!

TarpDevil is designed to make collection and deployment of your turf covers a much more manageable process. TarpDevil has a simple, functional and durable design meant to provide you with years of trouble free use. Please ensure that you read and understand the following important information regarding assembly, adjustment, operation, safety and maintenance that is contained in this manual. If you have questions regarding any of the information in this manual please do not hesitate to contact your dealer or the TarpDevil team directly for clarification prior to use.

Regular preventative maintenance is required to ensure your TarpDevil continues to perform optimally for years to come. When in need of replacement parts, contact your dealer with your TarpDevil's model and serial number, located on the serial plate of the three point hitch mast.

Should you require further assistance, please feel free to contact your local TarpDevil dealer or the TarpDevil team directly at support@tarpdevil.com.

Thank you for your business!

Kindest Regards,

A handwritten signature in black ink, appearing to read "JK", is positioned above the name Jordan Kitchen.

Jordan Kitchen

President, TarpDevil

Safety

General Safety Instructions

- For your safety, read and understand the Operator's Manual and all safety signs and decals before plugging in, operating, servicing, adjusting, repairing or unplugging equipment.
- Become familiar with all tractor and TarpDevil controls and be able to stop both quickly.
- Do not operate any equipment if you are under the influence of alcohol or any prescription or non-prescription drugs.
- Wear appropriate protective and safety gear. This may include but is not limited to:
 - Hard hat
 - Protective shoes
 - Protective glasses or goggles
 - Hearing protection
 - Gloves
 - Wet weather gear
- Do not attempt any unauthorized modifications to your TarpDevil product. Unauthorized modifications may affect function, safety and/or equipment lifespan, and will fully void your warranty.
- Keep all shields, safety devices and decals in place. If a shield, safety device or decal is defective, illegible or damaged, repair or replace it before operating the TarpDevil.
- Inspect and clean the working area before operating.
- Ensure bystanders are clear of the area before operating.

Startup and Operational Safety Instructions

- Do not let inexperienced or untrained operators or persons under the age of 16 run this equipment.
- Operate only with ROPS and seatbelt equipped tractors.
- Do not permit riders.
- Do not wear loose fitting clothing during operation.
- Do not place fingers or other body parts in any of the mechanisms.
- Be aware of all safety decals and warnings.

Service and Maintenance Safety Instructions

- Stop engine, set brake, remove ignition key, and wait for all moving parts to stop before servicing, adjusting, repairing, or unhitching.
- Support equipment with blocks or safety stands before working beneath it.
- Use only tools, jacks, and hoists of sufficient capacity for the job.
- Use appropriate hand protection when handling sharp objects.
- Relieve pressure on hydraulic system before repairing or adjusting.

Hydraulic Safety Instructions

IMPORTANT! Seek immediate, professional medical treatment if hydraulic fluid penetrates the skin, is ingested or otherwise absorbed. Do not wait for symptom appearance. Immediate professional medical treatment is required to treat or prevent potential adverse outcomes.

- All hydraulic components require regular inspection for leakage and/or other damages. Replace any damaged hydraulic parts with TarpDevil authorized components. Failure to use TarpDevil replacement components will result in voiding of the warranty and potentially create hazardous working conditions.
- Use cardboard when checking for leaks, in addition to hand and eye protection.
- Do not adjust the relief setting on the hydraulic system.
- Escaping hydraulic fluid under pressure may have sufficient force to penetrate the skin.
 - Always check for leaks wearing a face shield or safety goggles.
 - Wear rubberized gloves
 - Wear protective clothes
 - Do not use your hands to detect leaks. Use a piece of cardboard or paper and watch for discoloration to find hydraulic fluid leaks

TarpDevil - Warranty

TarpDevil warranties all TarpDevil Cover Management Systems (the "Product"), when applied and installed, to be free from defects in material and workmanship under normal use and service for a period of 1 year from date of use. This warranty does not guarantee a particular service life of the Product. Service life will vary with application, operating environment, level of maintenance and other factors beyond TarpDevil's control.

TarpDevil's sole responsibilities for the Product or parts determined to be defective and covered by this warranty is limited to repairing the product or part, in addition to an allowance for labor costs, with such allowance being determined by TarpDevil in its sole discretion. All parts removed and/or replaced from the Product under this warranty become the property of TarpDevil.

Prior authorization from TarpDevil must be obtained before replacing or returning any part(s), or incurring any cost of labour. No charges for expense incurred in parts, labour or transportation by unauthorized persons will be allowed under this warranty. TarpDevil reserves the right of any part or TarpDevil assembly (with transportation prepaid) claimed to be covered under this warranty.

In no event does this warranty extend to the Product or services covered by this agreement if the Product has been subject to misuse; improper testing, installation, storage, or handling; abnormal stress, condition or use; repair or alteration other than by TarpDevil or those authorized by TarpDevil; or has been used with any third party product or hardware not authorized or approved in writing by TarpDevil.

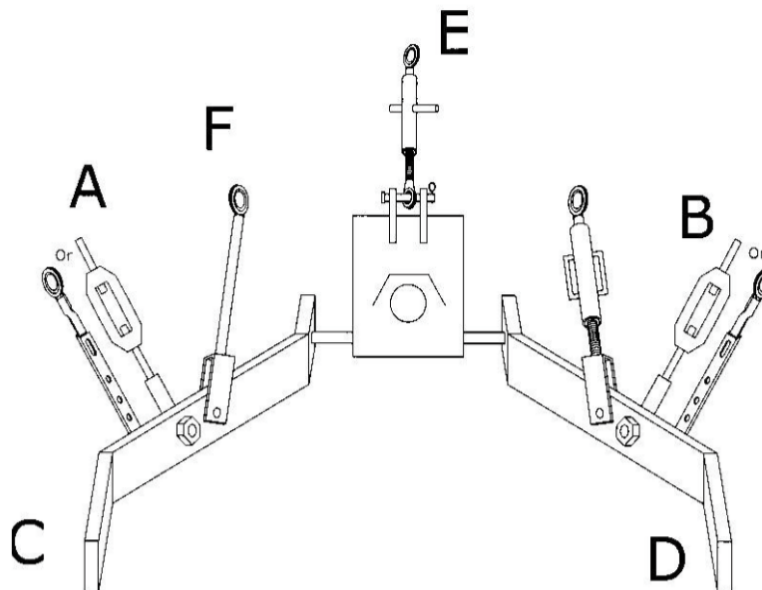
TarpDevil shall not be liable, in event, for proximate, incidental, consequential, special or other damages. This includes, but is not limited to, damages for loss of production, loss of profit, loss of opportunity, or injury to persons arising out of any breach in this warranty.

Notwithstanding anything to the contrary herein, the liability of TarpDevil, whether in contract, tort (including negligence) or otherwise, from any loss or damage arising out of, connected with, or resulting from a breach by TarpDevil of this warranty is limited to the price allocated to the Product or services covered by this Agreement, or part thereof, which gives rise to the claim, the replacement of the Product or at the option of TarpDevil the repair of such Product.

THERE ARE NO WARRANTIES, EXPRESSED OR IMPLIED, INCLUDING THE WARRANTY OF MERCHANTABILITY, WARRANTY OF FITNESS FOR PARTICULAR PURPOSE, OR ANY OTHER WARRANTY EXTENDING BEYOND THAT SET FORTH ABOVE.

Mounting Your TarpDevil - Three Point Hitch Attachment Procedure

1. Select a tractor with hydraulic capabilities and standard Category "1" three-point hitch.
2. Free up all linkages, pivot ball joints with adequate caution to ensure proper movement of the linkage. This also ensures hook up is faster and safer.
3. With both the tractor and TarpDevil on a level, firm surface, first measure the distance from the two rear three point hitch arms "C" and "D" to the ground – with the arms in the lowest position, ground clearance should be no greater than 6" (15cm). Adjustments to the vertical tractor lift links "F" and "G" may be necessary.
4. Safely reverse tractor to TarpDevil, and turn off the tractor's engine. Connect the left hand tractor hitch arm "C" onto the TarpDevil hitch pin and locate the lynch pin into the pin hole.
5. Connect the right hand tractor hitch arm "D" onto the TarpDevil hitch pin and locate the lynch pin. Snap pin into the pin hole.
6. Connect the adjustable top link "E" to the tractor and to the top hole in the "A" frame of the groomer. Be sure the lynch pins are in the cross holes of the top link pins, use hardened pins, NOT bolts. NOTE: Top link "E" can be either manual adjustable or hydraulic type.
7. Start tractor engine, raise TarpDevil to height of 18" (46cm) off of the ground. Ensure parking brake is on before leaving the tractor seat.
8. With the unit raised up, adjust "Side Sway" turn buckles "A" & "B" to prevent "Side to Side" movement of the groomer. Be sure when adjusting side sway, to center the TarpDevil to the tractor to ensure the TarpDevil follows in a straight line behind the tractor.
9. While the TarpDevil is in raised position, level the groomer horizontally to the rear axle of the tractor.
10. Safely and slowly lower the TarpDevil to the ground.
11. When the TarpDevil is resting on the ground, adjust the tractor top link "E", either in or out to ensure the mainframe is 90 degrees to the rear of the tractor.
12. Hook up the TarpDevil's hydraulic lines to the ports on the tractor
13. Lift the TarpDevil for transport to approximately 18" (46 cm) of height.
14. You're ready to get rolling!



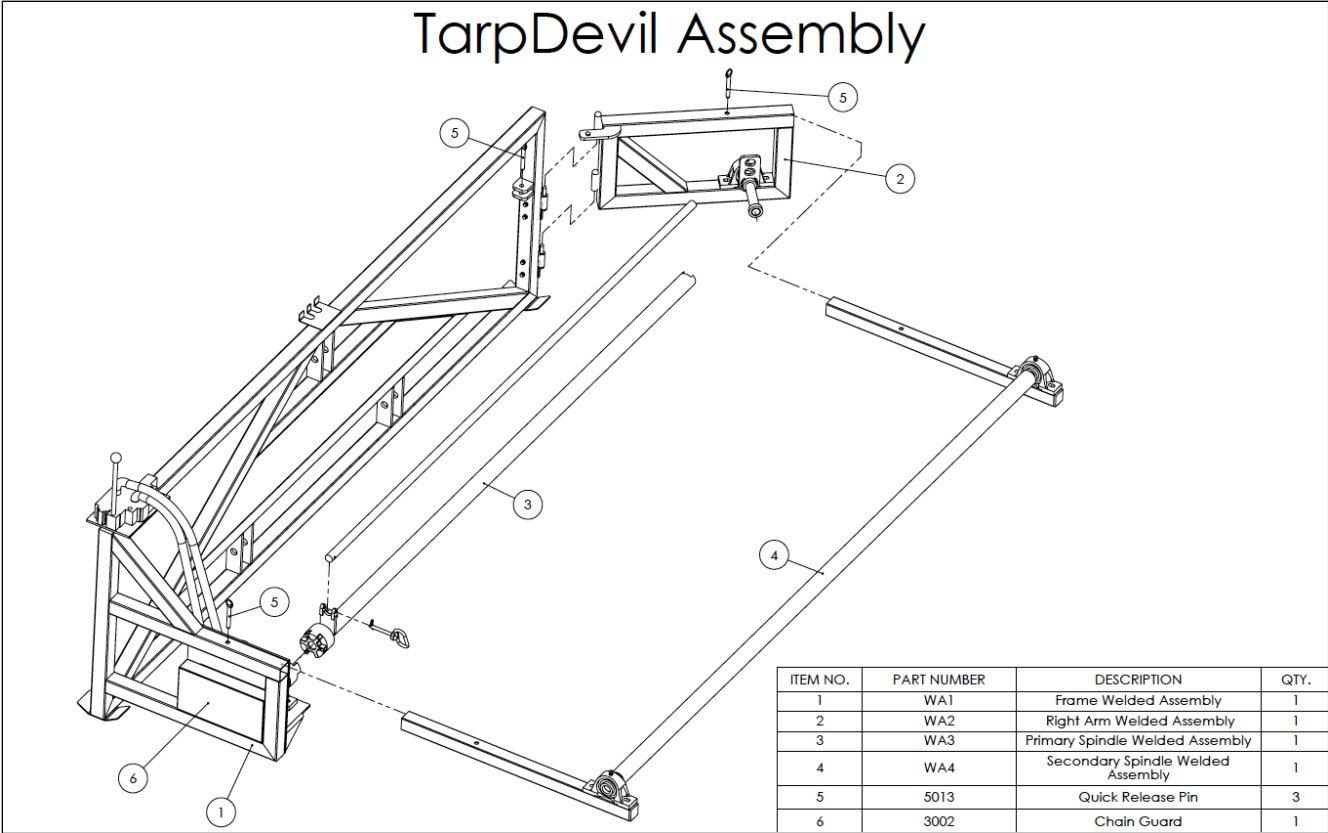
TarpDevil - Theory of Operation

Warning! Please keep all fingers, hands and extremities, as well as clothing away from TarpDevil's moving parts during operation!

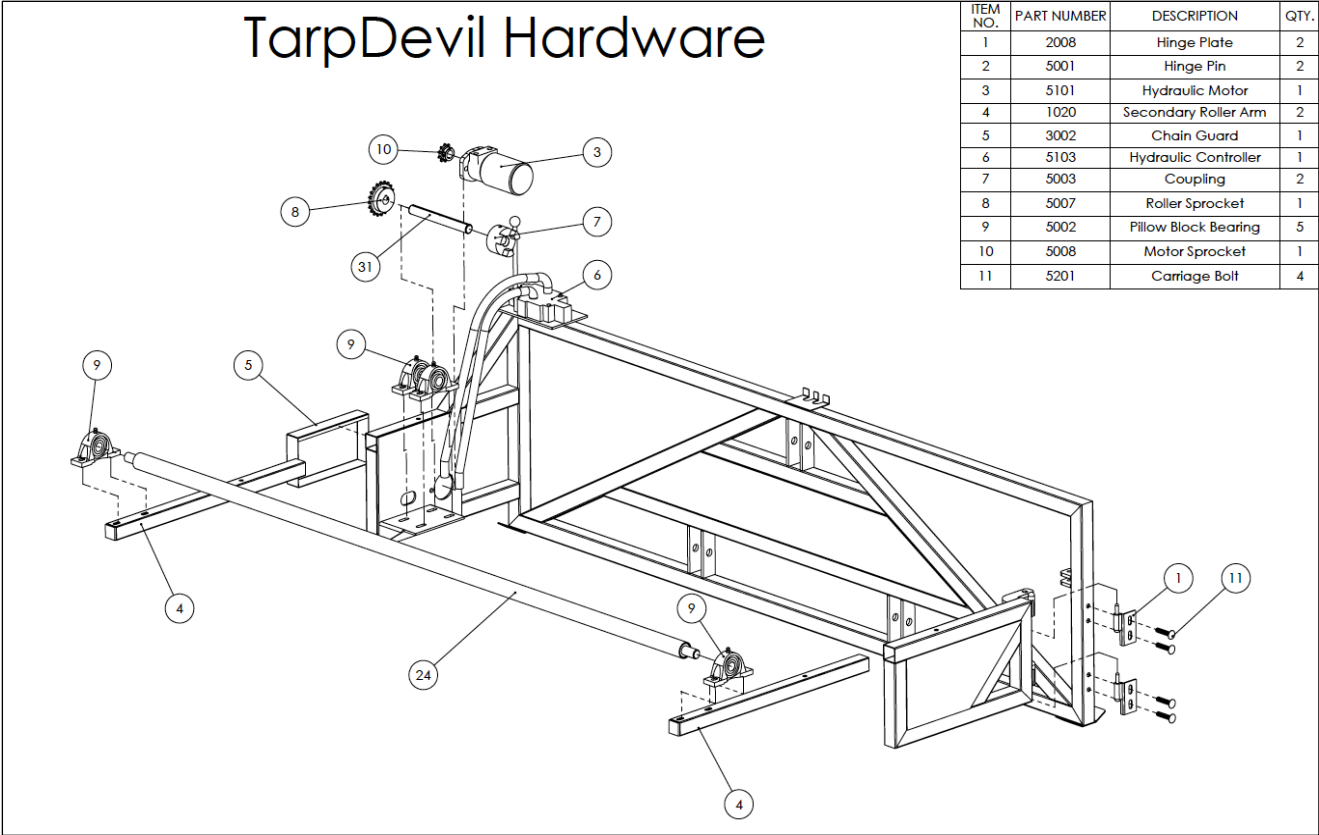
Now that your TarpDevil is mounted on your tractor, you are just about ready to begin collecting (or deploying) your covers. We recommend that you grease all bearings before using TarpDevil for the first time. Once your TarpDevil has been greased, you are ready to get rolling! Below are the steps for collecting a turf cover with TarpDevil.

1. Reminder: Before you begin collecting covers, you must install a 2" ID PVC sleeve over the main spindle shaft. This sleeve will simplify processes moving forward and make it easier for you to use TarpDevil for the collection, deployment and storage of your turf cover inventory. The sleeve will also make removing rolled covers from the main spindle easier and make mounting your rolled covers to the TarpDevil when you are ready to deploy.
2. Fold cover to a maximum width of 6 feet.
3. Select which end of the cover you would like to roll from. At that end, fold the first 6 feet of the cover back onto itself and then back TarpDevil up to the cover.
4. Pull pins and remove secondary roller. Place secondary roller on the ground in front of cover.
5. Pull lynch pin on spindle pivot arm and remove hinge pin. Remove the pinching arm.
6. Lay the folded back section of cover on the primary spindle.
7. Reinstall the pinching arm. Choose hole size best suited for cover thickness.
8. Line up the holes on the hinge end, reinsert the pivot pin and replace the lynch pin.
9. Reinstall the secondary roller. In order for the roller to create tension and remove excess water the cover should roll over the secondary roller.
10. You are now ready to get rolling! Ensure the tractors' hydraulic controller is in the float position. The tractor engine speed should be running just above idle. TarpDevil has a low volume high torque motor. It is unnecessary to run the tractor at high RPMs. Running the tractor at high RPM can make the rolling or deployment operation more difficult to control and result in a unorganized roll or deployment.
11. Using TarpDevil's hydraulic controller, begin to spool the cover. You may need to adjust the cover so it spools evenly upon itself. Continue to spool or unspool the cover until it is completely rolled or deployed. During the rolling process, it is common for the roll to become loose as the last 15 feet of the cover is collected.
12. Once all of the turf cover is collected, you must tie the cover using your preferred method, to prevent unrolling during removal, transportation or storage.
13. You are now ready to remove the rolled cover from TarpDevil. Move the tractor the location you want to remove the cover or directly to your storage facility.
14. Using the three-point hitch draft control lower TarpDevil so the cover is resting on the ground. Caution! Do not apply too much pressure to the turf cover at this stage.
15. Remove the secondary roller and place out of the way.
16. Remove the right hinge pin and open the right arm.
17. Pull the spindle and cover so it separates from the spider coupler on at the opposite end.
18. Once the spindle has been separated from the spider couples you can lift TarpDevil slowly, a few inches off the ground and pull the tractor forward.
19. Now that the tractor is out of the way you can pull the spindle from the core of the cover.
20. Once the spindle is removed, place another sleeve on the primary shaft, reinstall the spindle on TarpDevil and replace the secondary roller. You are now ready to get rolling your next turf cover!
21. If you are beginning the deployment process, and have used TarpDevil before, it is essentially everything but in reverse. Does that make sense? #WeKeepYouRolling

TarpDevil - Assembly



TarpDevil - Parts List



ITEM NO.	PART NUMBER	DESCRIPTION	QTY.
1	2008	Hinge Plate	2
2	5001	Hinge Pin	2
3	5101	Hydraulic Motor	1
4	1020	Secondary Roller Arm	2
5	3002	Chain Guard	1
6	5103	Hydraulic Controller	1
7	5003	Coupling	2
8	5007	Roller Sprocket	1
9	5002	Pillow Block Bearing	5
10	5008	Motor Sprocket	1
11	5201	Carriage Bolt	4

TarpDevil - Maintenance

Procedures

The TarpDevil has a simple, functional and durable design which requires little preventive maintenance. However, taking time to complete the recommended maintenance on your equipment will ensure you get years of optimal use from your TarpDevil.

1. Before use inspect hydraulic lines to ensure there are no visible damage to the lines.
2. Make sure the drive chain is not loose. If the chain is loose tighten it.
3. Ensure all bearings are greased.

Safety Instructions and Decals

Numerous safety and instruction decals have been affixed to your TarpDevil. Decals must be replaced if at any time they become illegible or damaged. Contact your TarpDevil dealer to order a shipment of replacement decals.